



API 900 LB Flange Cast Steel Globe Valve

Structure Diagram

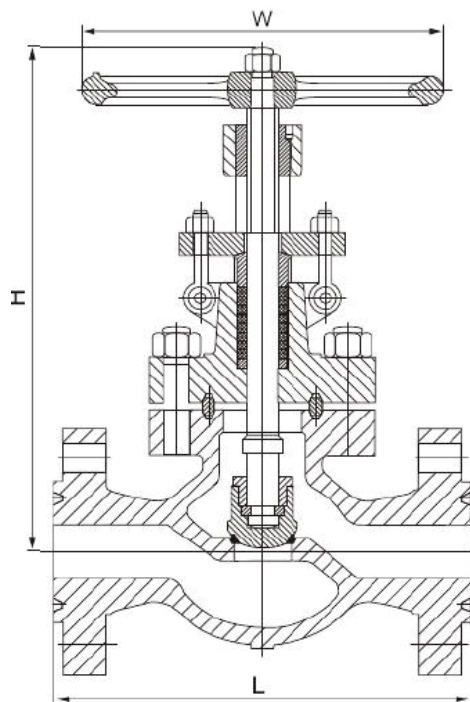
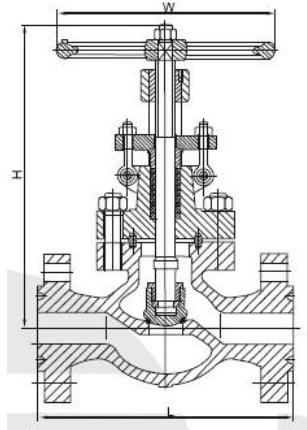
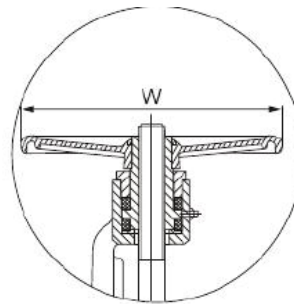
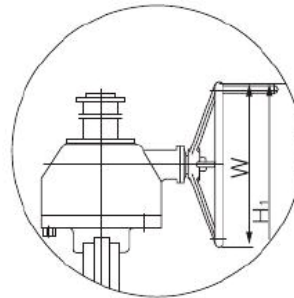


Fig.JRF1



Bearing Structure



Gear Operated

Pressure: Class 900

Bolted Bonnet

6° and above: With Bearing Structure

8° and above: Gear Operated

Wenzhou Kerui Valve Industry Co., LTD

Address:

No.1 Tantou Village, Yongqiang High-tech Park, Longwan District, Wenzhou City, China

Post Code: 328024

Tel: +86-577-86928881 / +86-577-86990007

Fax: +86-577-86912312

E-mail: sale@createvalve.com / offer@createvalve.com



No.	Part Name	Carbon Steel	Stainless Steel	Alloy Steel	Low Temperature Steel
1	Body	A216 GR WCB	A351 GR CF8	A217 GR WC6	A352 GR LCB
2	Seat	A105	/	A182 GR F304	A182 GR F304
3	Disk	A216 GR WCB	A351 GR CF8	A217 GR WC6	A352 GR LCB
4	Stem	A276 TYPE410	A276 TYPE304	A182 GR F22	A276 TYPE 304
5	Bolt	A193 GR B7	A193 GR 8	A193 GR B7	A193 GR 8
6	Nut	A194 GR 2H	A194 GR B8	A194 GR 4	A194 GR B8
7	Back Seat	A182GR F6a	A182 GR F304	A182 GR F304	A182 GR F304
8	Gasket	Graphite+SS304			
9	Packing	Graphite			
10	Pin	A194 GR 2H	A276 TYPE304	A276 TYPE 410	A276 TYPE 304
11	Packing Bushing	A182GR F6a	A182 GR F304	A182 GR F6a	A182 GR F304
12	Eyebolt	A193 GR B7	A193 GR 8	A193 GR B7	A193 GR 8
13	Eyebolt Nut	A194 GR 2H	A194 GR B8	A194 GR 4	A194 GR B8
14	Gland	A216 GR WCB	A351 GR CF8	A216 GR WCB	A352 GR LCB
15	Bonnet	A216 GR WCB	A351 GR CF8	A216 GR WCB	A352 GR LCB
16	Stem Nut	B148 UNS C95600	B148 UNS C95600	B148 UNS C95600	B148 UNS C95600
17	Handwheel	A197	A197	A197	A197
18	Handwheel Nut	A108 GR 1020	A182 GR F304	A108 GR 1020	A182 GR F304

Classes	Size		Dimensions						Weight (KG)		Torque	Cv
	mm	in.	L (RF)	L (BW)	L (RJ)	H	H1	W	RF	BW		

Wenzhou Kerui Valve Industry Co., LTD

Address:

No.1 Tantou Village, Yongqiang High-tech Park, Longwan District, Wenzhou City, China

Post Code: 328024

Tel: +86-577-86928881 / +86-577-86990007

Fax: +86-577-86912312

E-mail: sale@createvalve.com / offer@createvalve.com



900	80	3	381	381	384	635	-	35 0	15 0	120	-	90
	100	4	457	457	460	774	-	50 0	24 7	200	-	170
	150	6	610	610	613	1041	-	50 0	41 0	-	-	400
	200	8	737	737	740	1333	-	61 0	79 0	-	-	710
	250	10	838	838	841	-	1625	61 0	14 00	-	5145	1100

These parameters are for reference only. Specific information is subject to our drawing paper. Please contact us for more or other data as soon as possible.

Wenzhou Kerui Valve Industry Co., LTD

Address:

No.1 Tantou Village, Yongqiang High-tech Park, Longwan District, Wenzhou City, China

Post Code: 328024

Tel: +86-577-86928881 / +86-577-86990007

Fax: +86-577-86912312

E-mail: sale@createvalve.com / offer@createvalve.com