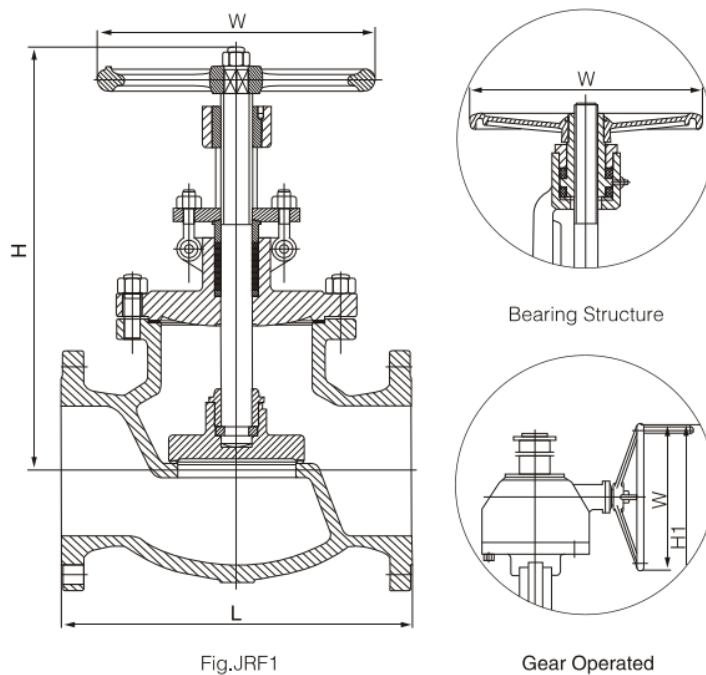




API 150LB Flanged Stainless Steel Globe Valve



Structure Diagram



Pressure: Class 150

Bolted Bonnet

Class 150, 14° and above: With Bearing Structure

Class 300, 10° and above: With Bearing Structure

Class 300, 16° and above: Gear Operated

Wenzhou Kerui Valve Industry Co., LTD

Address:

No.1 Tantou Village, Yongqiang High-tech Park, Longwan District, Wenzhou City, China

Post Code: 328024

Tel: +86-577-86928881 / +86-577-86990007

Fax: +86-577-86912312

E-mail: sale@createvalve.com / offer@createvalve.com



Parameters

No.	Part Name	Carbon Steel	Stainless Steel	Alloy Steel	Low Temperature Steel
1	Body	A216 GR WCB	A351 GR CF8	A217 GR WC6	A352 GR LCB
2	Seat	A105	/	A182 GR F304	A182 GR F304
3	Disk	A216 GR WCB	A351 GR CF8	A217 GR WC6	A352 GR LCB
4	Stem	A276 TYPE410	A276 TYPE304	A182 GR F22	A276 TYPE 304
5	Bolt	A193 GR B7	A193 GR 8	A193 GR B7	A193 GR 8
6	Nut	A194 GR 2H	A194 GR B8	A194 GR 4	A194 GR B8
7	Back Seat	A182GR F6a	A182 GR F304	A182 GR F304	A182 GR F304
8	Gasket	Graphite+SS304			
9	Packing	Graphite			
10	Pin	A194 GR 2H	A276 TYPE304	A276 TYPE 410	A276 TYPE 304
11	Packing Bushing	A182GR F6a	A182 GR F304	A182 GR F6a	A182 GR F304
12	Eyebolt	A193 GR B7	A193 GR 8	A193 GR B7	A193 GR 8
13	Eyebolt Nut	A194 GR 2H	A194 GR B8	A194 GR 4	A194 GR B8
14	Gland	A216 GR WCB	A351 GR CF8	A216 GR WCB	A352 GR LCB
15	Bonnet	A216 GR WCB	A351 GR CF8	A216 GR WCB	A352 GR LCB
16	Stem Nut	B148 UNS C95600	B148 UNS C95600	B148 UNS C95600	B148 UNS C95600
17	Handwheel	A197	A197	A197	A197
18	Handwheel Nut	A108 GR 1020	A182 GR F304	A108 GR 1020	A182 GR F304

Main Dimensions and Weight

Class	Size								Weight	Torqu	Cv
-------	------	--	--	--	--	--	--	--	--------	-------	----

Wenzhou Kerui Valve Industry Co., LTD

Address:

No.1 Tantou Village, Yongqiang High-tech Park, Longwan District, Wenzhou City, China

Post Code: 328024

Tel: +86-577-86928881 / +86-577-86990007

Fax: +86-577-86912312

E-mail: sale@createvalve.com / offer@createvalve.com



											e	
	mm	in.	L (RF)	L (BW)	L (RTJ)	H	H1	W	RF	BW		
150	40	1-1/2	165	165	178	289		200	14	11	16	
	5	2	203	203	216	343		200	23	19		
	65	2 1/2	216	216	229	368		250	32	25	29	
	80	3	241	241	254	375		250	38	31	45	100
	100	4	292	292	305	448		250	63	53	67	185
	150	6	406	406	419	584		350	108	90	129	440
	200	8	495	495	508	660		450	186	164	245	810
	250	10	622	622	635	683		450	271	239	385	1260
	300	12	698	698	711	794		610	374	326	601	1890
	350	14	787	787	800	889		610	610		649	2441
	400	16	914	914	927		97	720	880			3234
	450	18	977	977				1066	720	1150		4308
	500	20	977	977				1117	720	1650		5364
	600	24	1295	1295				1295	850	2200		7825

These dimensions are for reference only. Specific information is subject to the drawing paper. Please contact us for more information as soon as possible.

Wenzhou Kerui Valve Industry Co., LTD

Address:

No.1 Tantou Village, Yongqiang High-tech Park, Longwan District, Wenzhou City, China

Post Code: 328024

Tel: +86-577-86928881 / +86-577-86990007

Fax: +86-577-86912312

E-mail: sale@createvalve.com / offer@createvalve.com