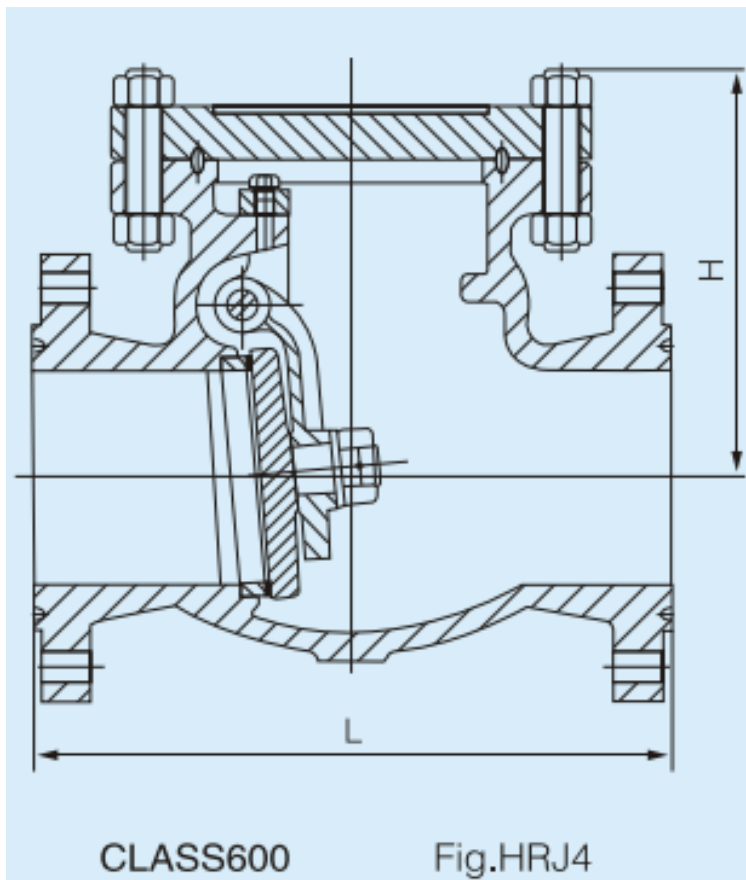




600LB API Flange Cast Steel Swing Type Check Valve



Wenzhou Kerui Valve Industry Co., LTD

Address:

No.1 Tantou Village, Yongqiang High-tech Park, Longwan District, Wenzhou City, China

Post Code: 328024

Tel: +86-577-86928881 / +86-577-86990007

Fax: +86-577-86912312

E-mail: sale@createvalve.com / offer@createvalve.com



Parameters

Pressure	Size		Main Dimensions				Weight(KG)		Cv
Class	mm	in.	L(RF)	L(BW)	L(RJ)	H	RF	BM	
600	50	2	292	292	295	161	34	25	—
	65	2-1/2	330	330	333	178	45	33	—
	80	3	356	356	359	203	60	44	285
	100	4	432	432	435	228	95	64	520
	150	6	559	559	562	304	200	134	1245
	200	8	660	660	664	406	275	175	2210
	250	10	787	787	791	469	450	280	3600
	300	12	838	838	841	533	615	415	5120
	350	14	889	889	892	609	850	550	6150
	400	16	991	991	994	660	1150	720	8070
	450	18	1092	1092	1095	774	1620	1120	10510
	500	20	1194	1194	1200	889	2000	1400	12855
	600	24	1397	1397	1407	965	3100	2220	18680
	650	26	1448	1448	1461	1016	3800	3010	24600
	700	28	1600	1600	1613	1066	4600	3724	29950
750	30	1651	1651	1664	1168	5500	4528	34680	

Wenzhou Kerui Valve Industry Co., LTD

Address:

No.1 Tantou Village, Yongqiang High-tech Park, Longwan District, Wenzhou City, China

Post Code: 328024

Tel: +86-577-86928881 / +86-577-86990007

Fax: +86-577-86912312

E-mail: sale@createvalve.com / offer@createvalve.com