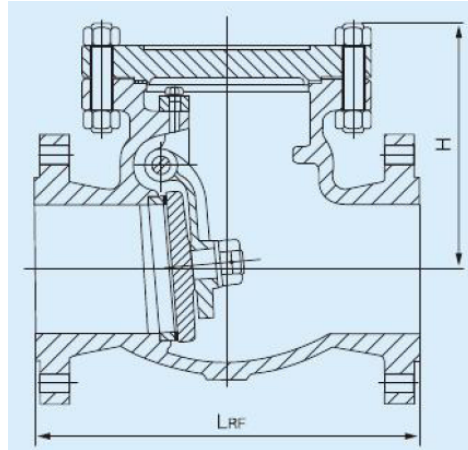




300LB API Flange Stainless Steel Swing Type Check Valve



Parameters

Pressure Class	Size		Main Dimensions				Weight(KG)		Cv
	mm	in.	L(RF)	L(BW)	L(RJ)	H	RF	BM	
300	40	1-1/2	241	241	254	155	17	11	—
	50	2	267	267	283	161	20	12	—
	65	2-1/2	292	292	308	175	24	15	—
	80	3	318	318	333	203	45	29	285
	100	4	356	356	371	228	65	41	515
	150	6	445	445	460	279	115	75	1245
	200	8	533	533	549	342	215	156	2285
	250	10	622	622	638	381	310	220	3575
	300	12	711	711	727	431	470	350	5345
	350	14	838	838	854	482	550	386	6510
	400	16	864	864	879	508	870	574	8620
	450	18	978	978	994	584	1025	855	11155
	500	20	1016	1016	1035	660	1500	1175	13935
	600	24	1346	1346	1368	762	2500	2030	20420
	650	26	1346	1346	1372	762	2800	2275	25000
	700	28	1499	1499	1524	889	3000	2404	28750
	750	30	1594	1594	1619	977	3400	2710	33910
800	32	1727	1727	—	1016	3700	2897	42230	
900	36	2083	2083	—	1143	4300	3330	61570	

Wenzhou Kerui Valve Industry Co., LTD

Address:

No.1 Tantou Village, Yongqiang High-tech Park, Longwan District, Wenzhou City, China

Post Code: 328024

Tel: +86-577-86928881 / +86-577-86990007

Fax: +86-577-86912312

E-mail: sale@createvalve.com / offer@createvalve.com