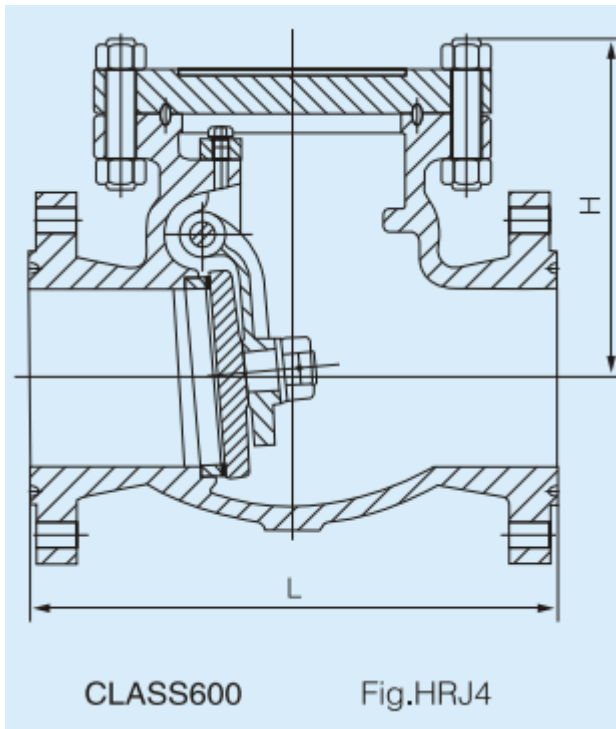




**600LB API Flange Stainless Steel Swing Type Check Valve**



**Parameters**

Pressure Class	Size		Main Dimensions				Weight(KG)		Cv
	mm	in.	L(RF)	L(BW)	L(RJ)	H	RF	BM	
600	50	2	292	292	295	161	34	25	—
	65	2-1/2	330	330	333	178	45	33	—

**Wenzhou Kerui Valve Industry Co., LTD**

**Address:**

No.1 Tantou Village, Yongqiang High-tech Park, Longwan District, Wenzhou City, China

**Post Code:** 328024

**Tel:** +86-577-86928881 / +86-577-86990007

**Fax:** +86-577-86912312

**E-mail:** [sale@createvalve.com](mailto:sale@createvalve.com) / [offer@createvalve.com](mailto:offer@createvalve.com)



80	3	356	356	359	203	60	44	285
100	4	432	432	435	228	95	64	520
150	6	559	559	562	304	200	134	1245
200	8	660	660	664	406	275	175	2210
250	10	787	787	791	469	450	280	3600
300	12	838	838	841	533	615	415	5120
350	14	889	889	892	609	850	550	6150
400	16	991	991	994	660	1150	720	8070
450	18	1092	1092	1095	774	1620	1120	10510
500	20	1194	1194	1200	889	2000	1400	12855
600	24	1397	1397	1407	965	3100	2220	18680
650	26	1448	1448	1461	1016	3800	3010	24600
700	28	1600	1600	1613	1066	4600	3724	29950
750	30	1651	1651	1664	1168	5500	4528	34680

---

**Wenzhou Kerui Valve Industry Co., LTD**

**Address:**

No.1 Tantou Village, Yongqiang High-tech Park, Longwan District, Wenzhou City, China

**Post Code:** 328024

**Tel:** +86-577-86928881 / +86-577-86990007

**Fax:** +86-577-86912312

**E-mail:** [sale@createvalve.com](mailto:sale@createvalve.com) / [offer@createvalve.com](mailto:offer@createvalve.com)